



MARINE | Heating Solutions



2023

CATALOGUE



KEEPING YOU WARM

ON EVERY JOURNEY





CONTENTS

1

WALLAS MARINE HEATERS
PROVIDE QUIET, VARIABLE
POWER FOR PRECISE
COMFORT CONTROL AND
UNMATCHED ADAPTABILITY

5

VIKING SERIES

VIKING AIR

VIKING WATER **NEW**

VIKING COMBI

11

SPARTAN SERIES

SPARTAN TWIN

SPARTAN AIR

SPARTAN WATER **NEW**

19

GB SERIES

22 GB

30 GB

21

INSTALLATION

DIMENSIONS AND ACCESSORIES

MARINE HEATERS

Exceptional Diesel Heaters for Boats up to 15 m / 50 ft



WALLAS MARINE HEATERS PROVIDE QUIET, VARIABLE POWER FOR PRECISE COMFORT CONTROL AND UNMATCHED ADAPTABILITY

Diesel heaters are some of the safest, most convenient heating options for cold, off-grid environments. Diesel is available virtually everywhere, and the ability to draw fuel from the main fuel tank of the vessel or vehicle is a big advantage. Diesel is also more resilient in cold temperatures than for example propane.

The Combustion System Simplified

Wallas diesel heaters produce heat by a laminar combustion process, which requires air, fuel, and a glow plug for the ignition. Combustion air is drawn in via inlet hose with a combustion fan. The highly precise dosing fuel pump delivers fuel to the burner from a diesel tank, glow plug switches on, air-diesel mixture ignites and creates combustion. This whole process takes place inside a closed chamber, meaning no exposed flame. In the chamber, the fuel vaporizes before ignition, resulting in nearly 100% combustion, making this technology one of the most environmentally friendly options for off-grid heating. The process produces quiet, clean, dry heat, that is blown into the indoor space via warm air ducting.

Materials for Challenging Weather Conditions

The rugged outer case design protects the internal components from damage. Wallas heaters are made of stainless steel, high-grade aluminum, and other corrosion-resistant materials to endure challenging weather and marine conditions. The outer case does not get excessively hot, but is comfortable to touch. This provides the option to install the heater in the cabin, where competitors' heaters are not welcome due to too high surface temperatures.

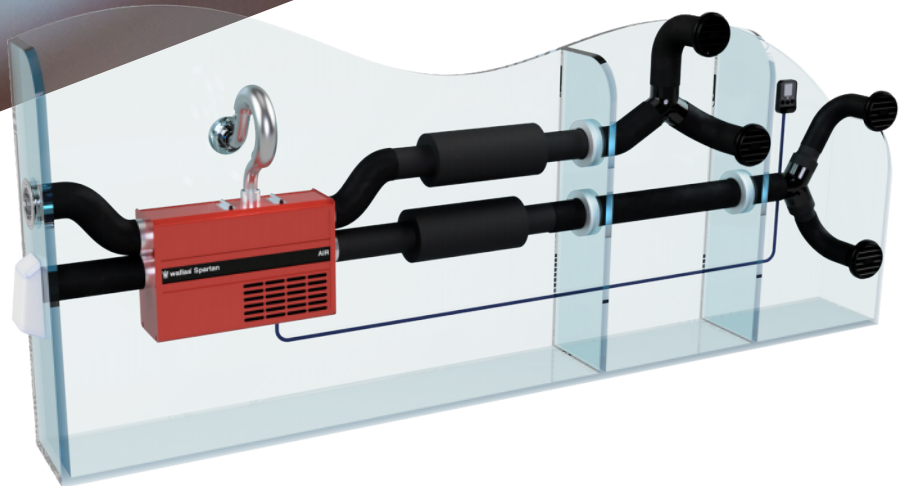
Wallas-Marin develops products that run best with current road and boat diesel, as well as renewable fossil-free diesel types (HVO), which are some of the cleanest fuels available.



Wireless temperature sensor sends accurate temperature data to the control panel to maintain a smooth temperature.

Multiple outlets reduce air drag and keep the sound level low. They also reduce power consumption and facilitate smooth distribution of heated air throughout the cabin.

Multiple inlets take fresh air from outside and heated return air from the cabin. This improves efficiency and ensures oxygen rich air in the cabin.



Multiple Inlets and Outlets Improve Airflow, Flexibility and Efficiency

Diesel heaters' inlet air can be taken from inside the cabin or outside. If air is taken from the inside, it takes less time to heat the air as this return air is already warmer than outside air, but the heater basically circulates the same stale and possibly damp air in the cabin. If air is taken from outside, it may take a bit longer to warm up, but outside air is always fresher.

Wallas marine heaters do both - take inlet air from outside the boat and recirculated heated air from the cabin. This mix improves efficiency and ensures oxygen rich air in the cabin. Wallas heaters also have unmatched adaptability with multiple outlets for the warm air, reducing air drag and keeping sound levels low.

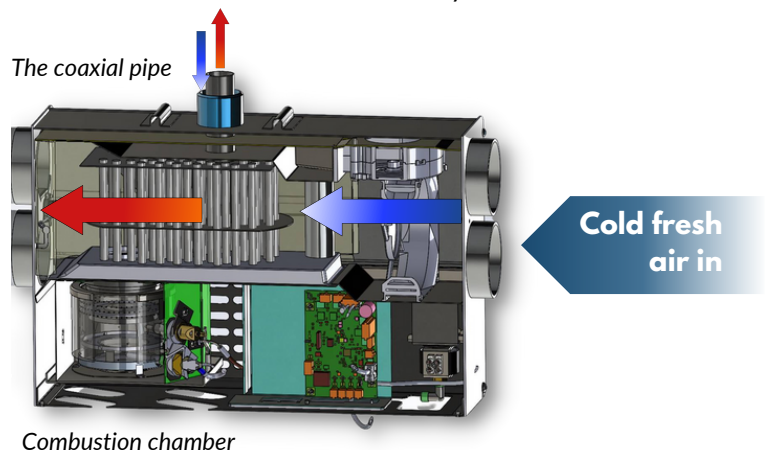
Wallas heaters take the combustion air through the outer coaxial pipe and force exhaust out through the inner coaxial pipe. This reduces the temperature on the surface of the pipe keeping other surrounding materials safer. This virtually silent process also improves efficiency, wind resistance, and raises the available power level.

Multiple ducts reduce power consumption and facilitate smooth distribution of heated air throughout the cabin. The bigger the cross-sectional area of the ducts are, the less it reduces airflow and makes the best use of the ventilation fan.

The Greenboost Burner Burns Fuel Slowly, Resulting in a Clean Burning Process and More Efficient Power

The Wallas combustion chamber is the most efficient in its class. The aerosols of diesel are burnt in a safe enclosed chamber with a burn process that is virtually silent. The fully enclosed burn process doesn't leak fumes or combustion odors and all of the exhaust gas is vented outside, keeping the indoor air always fresh.

Wallas Greenboost burner is unique as it has been calibrated to burn fuel as slowly as possible, which results in very low fuel consumption and emissions without reducing heating power. The fuel pump rate is matched perfectly to the combustion air, providing a very clean and efficient burn of diesel. The recently updated burner software also minimizes 12VDC electricity consumption allowing boaters to use the heater for long periods of time without concerns about depleting the battery.





Brushless blower motors have a very long life-cycle, supporting reliably long service intervals

Wallas heaters are built with brushless blower motors with variable speed. Picture a single-speed system which runs at full capacity, then stops when the temperature reaches the set level in the thermostat, only until the temperature drops and the motor cycles back on at full speed. This kind of constant starts and stops waste a tremendous amount of energy. Variable speed system in Wallas heaters, on the other hand, can operate at high speeds or low speeds and adjusts the speed gradually to the required level to maintain a stable temperature. Even though the variable-speed motor is basically always running, it is more energy efficient, because it runs mostly at lower speeds maintaining the temperature rather than frequently starting at full power.

Distinctive to Wallas, there are two independent, brushless, ball-bearing, highly durable and long-lasting fan motors. The combustion fan, controlled by the electronics, optimizes a precise burning process, while the main blower transfers the heat to the cabin. Competitive products have only one motor with the combustion fan and the main blower on the same shaft. In these devices, the heat output cannot be adjusted without compromising the fuel-air mixture and their ventilation fan does not always follow the power variations of the device. This feature makes Wallas heaters more versatile for different sizes of boats. The big advantage is there is no need to be extremely precise about the size of the heater, because the power output can be adjusted; especially in the newer Viking and Spartan models.



Open and closable air vents can be installed in the indoor space or on the deck for maximum comfort.

Brushless motors are considerably more durable, yet quieter than brushed motors. They have a longer life-cycle, thus requiring less frequent servicing.

WALLAS IS DIFFERENT

- Multiple inlets and outlets improve airflow and efficiency.
- Variable output eliminates system cycling and reduces noise.
- Two independent highly durable and long-lasting fan motors for improved performance.
- Low temperature on unit and exhaust pipe improves everyone's safety.
- Wallas thermo control maintains an accurate temperature level to keep the whole crew comfortable.
- Wallas marine heaters are remotely controllable from your home sofa allowing you to arrive at a warm boat.
- Low voltage technology safeguards that the heater will start even with compromised charging and lower battery levels.

Wallas-Marin Oy
 Kärriykatu 4
 20780 Kaarina
 Finland
 sales@wallas.fi

wallas.fi



12 V Battery as a Power Source

Wallas heaters need a 12 V battery to operate, but they use a very low amount of power. Starting current will typically go to 7-9 amps and then settle to 8-10 amps, which can drop the available voltage momentarily. Once the device is running, it will continue to run on a battery, but with a voltage well below 12 V, amps typically ranging between 0.5-4.5. Low voltage technology ensures that the heater will start even with compromised charging and lower battery levels.

Wireless Temperature Sensor Maintains a Smooth Ambient Temperature

Wallas heaters have either a wired or wired+wireless temperature sensors, which maintain a smooth ambient temperature in the space. The wireless sensor in the newer Wallas models is a convenient tool to accurately measure room temperature. As it is detachable, it can be moved to different areas of the boat.

Thermo Control Panels Give More Options to the Boater

Wallas currently has two control panels; the PI Thermo Control Panel and the Advanced Control Panel depending on the heater model. They both give the option to heat air in the Thermo Control Mode (set a desired target temperature) or in the Manual Mode (control heating power manually). Additionally, the ventilation volume in Air Boost Mode provides extremely fast defrosting and drying. Ventilation Mode can be used to blow fresh air, when heating is not needed. Both control panels can be accessed remotely, which allows the boaters to start the heater from distance and enjoy a warm boat upon arriving at the marina. The control panel is installed in an area, where it is easy to reach and read. However, Wallas Remote app paired with the Advanced Control Panel is a convenient alternative heater control as it allows the boaters to adjust the heat from their phone without having to reach to the control panel at all.

The Advanced Control Panel enables intelligent temperature control and system updates.

Wallas Spartan and Viking Series heaters are now E-mark approved for vehicles ensuring your safety and comfort also on the road.



All rights reserved. Wallas-Marin reserves the right to change or improve its products without obligation to notify any person or organization of such changes or improvements. Go to www.wallas.com for current updates and supplemental information concerning Wallas products.





VIKING AIR

3 kW | Air Heater

Power:	950-3000 W / 3,200-10,200 BTU
Operating Voltage:	12 V DC
Fuel Consumption:	0,10-0,30 l/h / 3.4-10 oz/hr
Electricity Consumption:	0,5-2,0 A
Air Volume at Min Heat:	43 m ³ /h / 25 cfm
Air Volume at Max Heat:	121 m ³ /h / 71 cfm
Air Boost Mode:	227 m ³ /h / 133 cfm
Dimensions:	L 424 mm / 16 11/16" W 140 mm / 5 1/2" H 277 mm / 10 7/8"
Weight:	10 kg / 22 lbs
Recommended Boat Size:	7-9 m / 22-29 ft

Wallas Viking Air is a cutting edge forced air heater with a variable heat output and a wireless temperature sensor to provide precise temperature control and superior ventilation volume. The Viking Series models are equipped with the Advanced Control Panel, which can also be operated remotely on your mobile phone. Heat sensing for the thermo control is taken from wired or wireless temperature sensors, which maintain even more precise target temperature and comfort level than the standard models. Powerful Air Boost dries the boat quickly and lets you start your day faster.

3008 ADVANCED

THERMO | Control Panel

- Use heater in **Thermo Mode** to hold a target room temperature.
- Switch to **Manual Mode** to deliver heat at six power levels.
- Blow fresh air without heating in **Ventilation Mode**.
- **Air Boost Mode** provides superior ventilation volume for extremely fast defrosting and drying - The highest in its class!





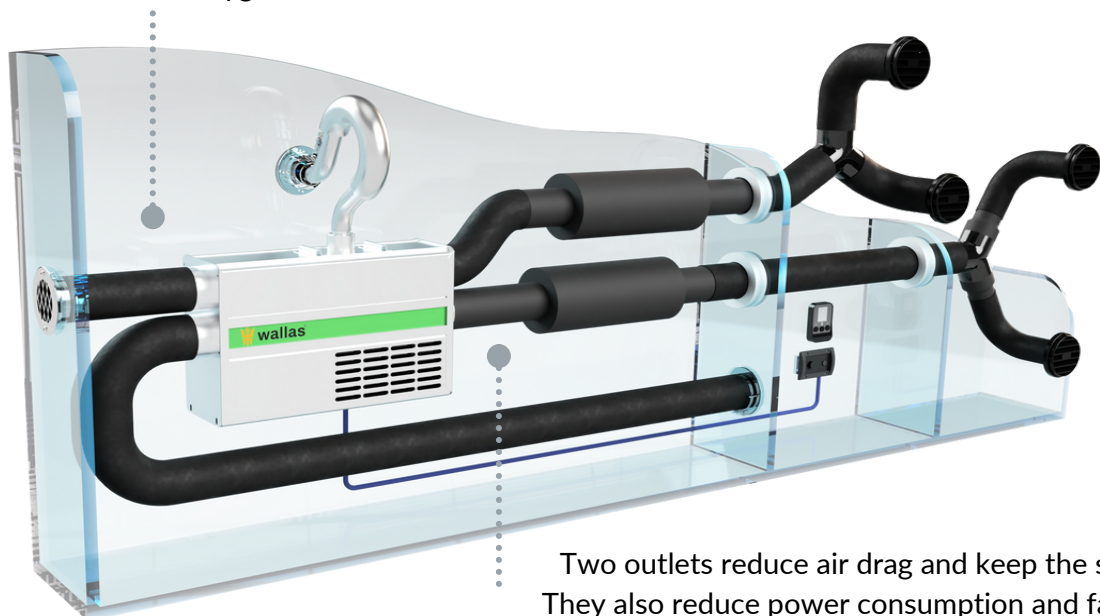
WALLAS REMOTE APP IS AN EASY TO USE ALTERNATIVE HEATER CONTROL

TURN THE HEATER ON REMOTELY WITH THE WALLAS APP AND ENJOY A WARM BOAT UPON ARRIVAL

ADJUST TEMPERATURE WITH YOUR WALLAS PHONE APP TO KEEP YOUR CREW HAPPY

Two inlets take fresh air from outside and heated return air from the cabin. This improves efficiency and ensures oxygen rich air in the cabin.

VIKING AIR



Two outlets reduce air drag and keep the sound level low. They also reduce power consumption and facilitate smooth distribution of heated air throughout the cabin.

FEATURES

- Multipoint remote temperature sensing for improved accuracy.
- Two inlets and outlets allow greater installation flexibility and drying performance.
- Fully enclosed laminar burning process ensures a quiet sound level and wind resistant burn.
- Low temperature on unit and exhaust pipe increases safety.
- E mark approved for vehicles.
- Superior ventilation volume in Air Boost mode.
- Variable output eliminates system cycling and reduces noise, keeping you comfortable.
- Brushless blower motors have a very long life-cycle, supporting reliably long service intervals.
- Made of stainless steel, high-grade aluminum, and other corrosion-resistant materials.



Wireless temperature sensor monitors cabin temperature with improved accuracy and flexibility.

VIKING SERIES

Diesel Heaters



VIKING WATER

3 kW | Water Heater

Power:	900-3000 W / 3,070-10,250 BTU
Operating Voltage:	12 V DC
Fuel Consumption:	0,10-0,30 l/h / 3.4-10 oz/hr
Electricity Consumption:	0,6-1,0 A
Dimensions:	L 319 mm / 12 9/16" W 140 mm / 5 1/2" H 309 mm / 12 3/16"
Weight:	10,5 kg / 23.15 lbs.
Recommended Boat Size:	7-9 m / 22-29 ft



Wallas Viking Water is a water heating system, which can be used solely for heating domestic fresh water or it can also be used to power up floor and radiator heating. Underfloor heating system distributes pleasant heat evenly in the cabin and requires less fuel and amps than air heaters. With the Wallas Remote App, the heater can be turned on remotely allowing you to enjoy hot water and a warm boat immediately when you arrive at the marina. Viking Water is an excellent option for other off-grid applications as well, for instance, camper vans, cottages, office/break room containers, or construction trailers.

3008 ADVANCED

THERMO | Control Panel

- The **Thermostat Mode** automatically keeps the room at an even temperature
- **Summertime Mode** allows you to heat only the hot shower water system without heating the space
- The simple display shows all relevant information at one glance
- Both coolant and hot water targets can be set separately





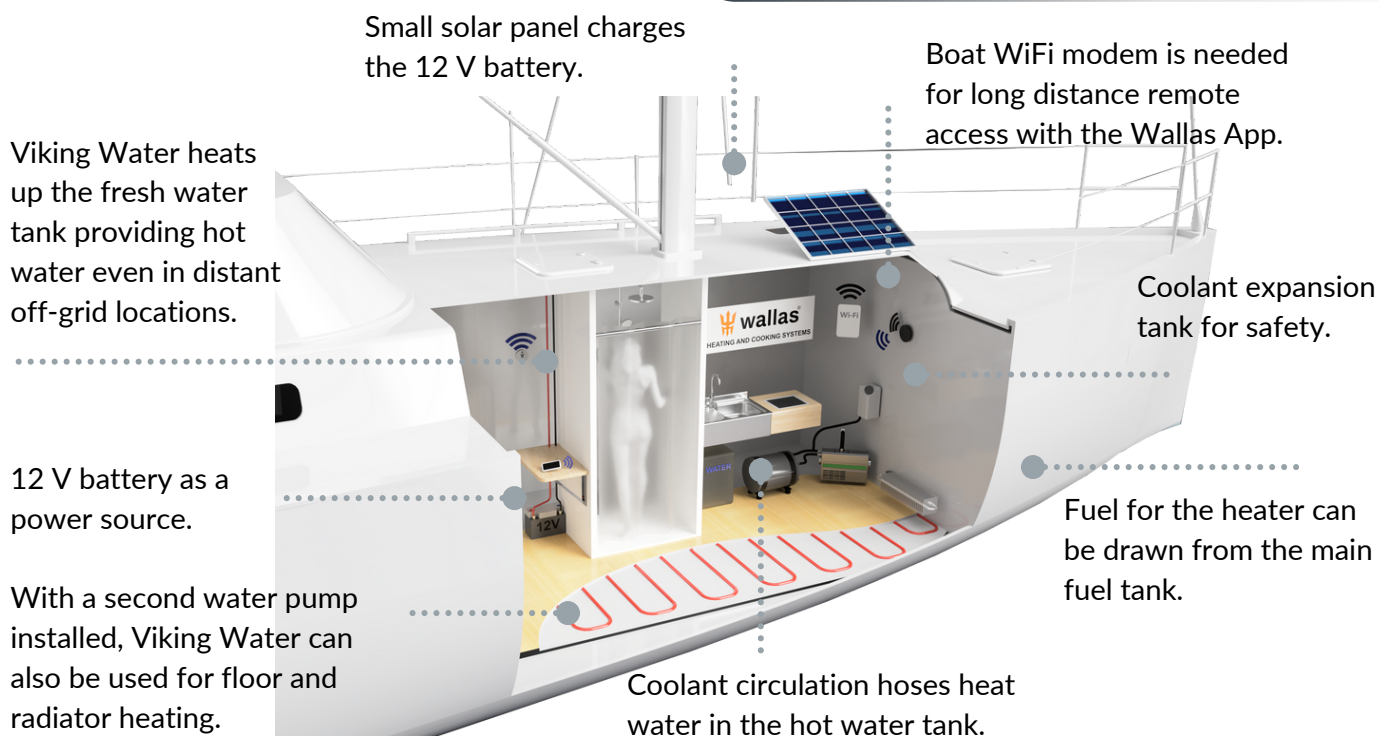
WALLAS REMOTE APP IS AN EASY TO USE ALTERNATIVE HEATER CONTROL

EXCELLENT WATER HEATING SYSTEM FOR REMOTE OFF-GRID LOCATIONS

VERY LOW FUEL AND POWER CONSUMPTION

ULTRA-LOW EMISSIONS

VIKING WATER



FEATURES

- Advanced Control Panel enables intelligent temperature control.
- Wireless temperature sensing for improved accuracy.
- Fully enclosed laminar combustion is a safe burning process with no exposed flame.
- Brushless motors have a very long life-cycle, supporting reliably long service intervals.
- E mark approved for vehicles.
- Delivers heat to a hot water tank and/or floor and radiator heating.
- Floor heating dispenses even heat to the indoor space and provides the added comfort of warm floors under your feet.
- No burning hot heater grilles for everyone's safety.
- Made of stainless steel, high-grade aluminum, and other corrosion-resistant materials.



Wireless temperature sensor monitors cabin temperature with improved accuracy and flexibility.



VIKING COMBI

2.5 kW | Air and Water Heater

Power:	950-2500 W / 3,200-10,000 BTU
Operating Voltage:	12 V DC
Fuel Consumption:	0,10-0,25 l/h / 3.3-8.5 oz/hr
Electricity Consumption:	0,4-2,6 A
Air Volume at Min Heat:	33 m ³ /h / 19 cfm
Air Volume at Max Heat:	73 m ³ /h / 43 cfm
Power Distribution:	Air 50-90%, Water 10-40 %
Recommended Boiler Size:	25 L / 6.6 gal.
Dimensions:	L 424 mm / 16 11/16" W 140 mm / 5 1/2" H 277 mm / 10 7/8"
Weight:	W 12 kg / 26 lbs.
Recommended Boat Size:	5-9 m / 16-29 ft

Viking Combi is a convenient combination unit for longer boating trips. In addition to forced air heating, it has a coolant system that warms up water simultaneously. Its double function heat exchanger warms up the cabin and removes fog from the windshield with hot air while providing warm water for the hot water tank through coolant circulation. If you are looking to go on a longer journey in colder climates and need to save space onboard, this combination unit is wise planning.

3008 ADVANCED

THERMO | Control Panel

- Use heater in **Thermo Mode** to hold a target room temperature.
- Blow fresh air without heating in **Ventilation Mode**.
- **Boost Mode** provides superior ventilation volume for extremely fast defrosting and drying





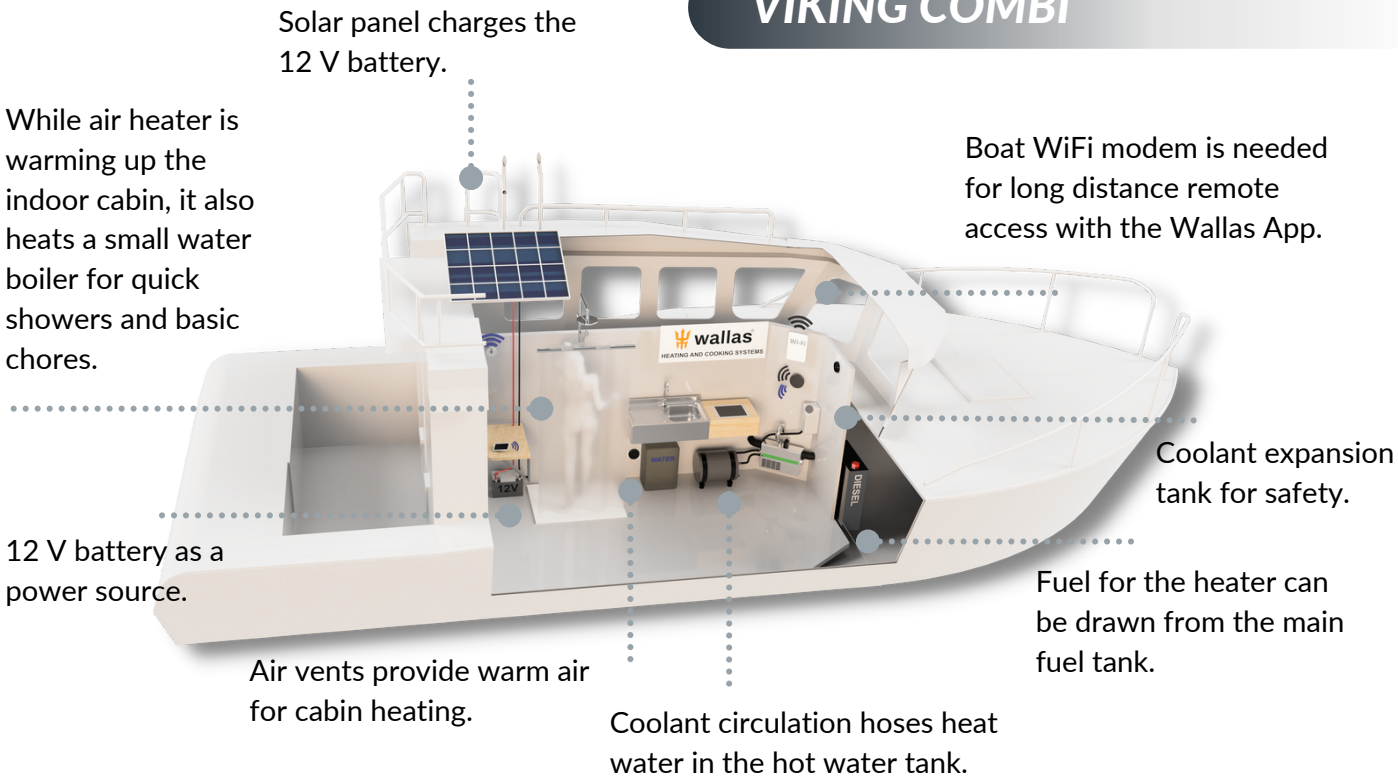
WALLAS REMOTE APP IS AN EASY TO USE ALTERNATIVE HEATER CONTROL



USE TWO-IN-ONE HEATER TO WARM UP AIR AND WATER SIMULTANEOUSLY

ADJUST INDOOR TEMPERATURE WITH THE WALLAS REMOTE APP TO KEEP EVERYONE COMFORTABLE

VIKING COMBI



FEATURES

- Paired with a small solar panel, Viking Combi is an excellent choice for longer boating trips.
- Multipoint remote temperature sensing for improved accuracy.
- Fully enclosed laminar burning process dries the indoor air and ensures wind resistant burn.
- Low temperature on unit and exhaust pipe increases safety.
- Two-in-one unit saves space, weight, and installation time.
- Variable output eliminates system cycling and reduces noise, keeping you comfortable.
- Brushless blower motors have a very long life-cycle, supporting reliably long service intervals.
- Made of stainless steel, high-grade aluminum, and other corrosion-resistant materials.

Wireless temperature sensor monitors cabin temperature with improved accuracy and flexibility.



SPARTAN TWIN / AIR

4.5 kW | Air Heater

Power:	1400-4500 W / 4,700-15,300 BTU
Operating Voltage:	12 V DC
Fuel Consumption:	0,16-0,46 l/h / 5.4-15.5 oz/h
Electricity Consumption:	0,7-4,5 A
Air Volume at Min Heat:	102 m ³ /h / 60 cfm
Air Volume at Max Heat:	226 m ³ /h / 133 cfm
Dimensions:	9-12 m / 29-40 ft L 424 mm / 16 11/16" W 165 mm / 6 1/2" H 278 mm / 10 15/16"
Weight:	W 15 kg / 33 lbs
Recommended Boat Size:	9-12 m / 29-40 ft

As one of the most powerful Wallas models, the Wallas Spartan offers the most advanced control features in the marine heater market, maximizing convenience and versatility. The Advanced Control Panel can be accessed remotely by Wallas mobile app, which enables you to turn the heater on from anywhere. The wireless sensor monitors the indoor temperature with high accuracy, maintaining smooth temperature stability for maximum comfort. When narrowing down your options, note that Spartan Twin has two makeup air inlets and two warm air outlets. In comparison, the Spartan Air has three inlets and three outlets for increased airflow and efficiency.

3008 ADVANCED

THERMO | Control Panel

- Use heater in **Thermo Mode** to hold a target room temperature.
- Switch to **Manual Mode** to deliver heat at six power levels.
- Blow fresh air without heating in **Ventilation Mode**.
- **Air Boost Mode** provides superior ventilation volume for extremely fast defrosting and drying - The highest in its class!



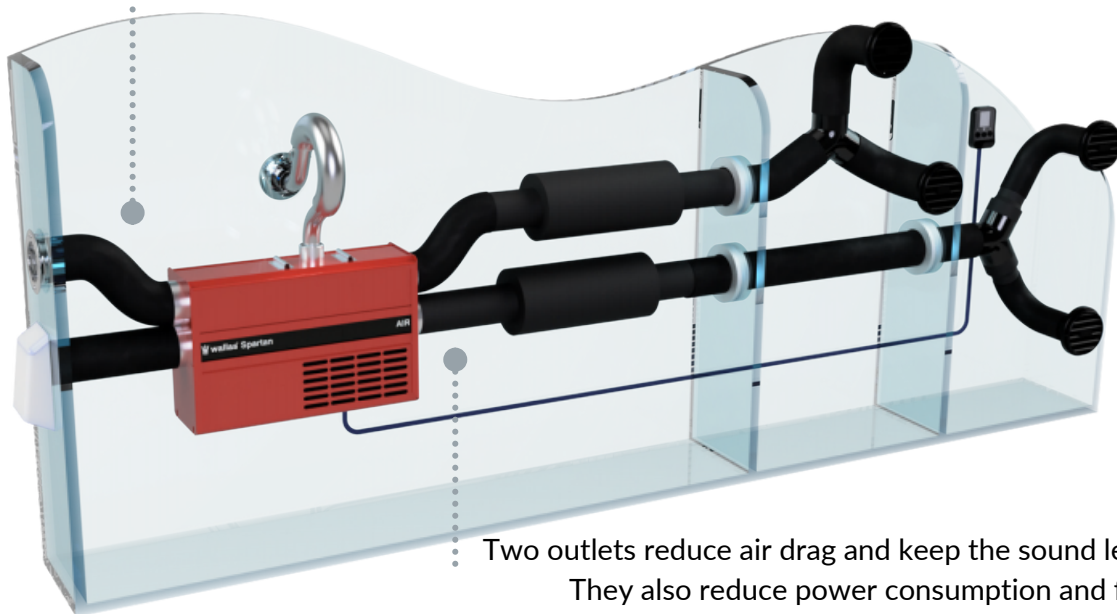


SPARTAN - THE MOST POWERFUL WALLAS HEATER

THE ADVANCED CONTROL PANEL ENABLES INTELLIGENT TEMPERATURE CONTROL AND FEATURE UPDATES

Two inlets take fresh air from outside and heated return air from the cabin. This improves efficiency and ensures oxygen rich air in the cabin.

SPARTAN TWIN



Two outlets reduce air drag and keep the sound level low. They also reduce power consumption and facilitate smooth distribution of heated air throughout the cabin.

FEATURES

- Multipoint remote temperature sensing for improved accuracy.
- Two inlets and outlets allow greater installation flexibility and drying performance.
- Fully enclosed laminar burning process ensures a quiet sound level and wind resistant burn.
- Low temperature on unit and exhaust pipe increases safety.
- E mark approved for vehicles.
- Superior ventilation volume in Air Boost mode.
- Variable output eliminates system cycling and reduces noise, keeping you comfortable.
- Brushless blower motors have a very long life-cycle, supporting reliably long service intervals.
- Made of stainless steel, high-grade aluminum, and other corrosion-resistant materials.



Wireless temperature sensor monitors cabin temperature with improved accuracy and flexibility.

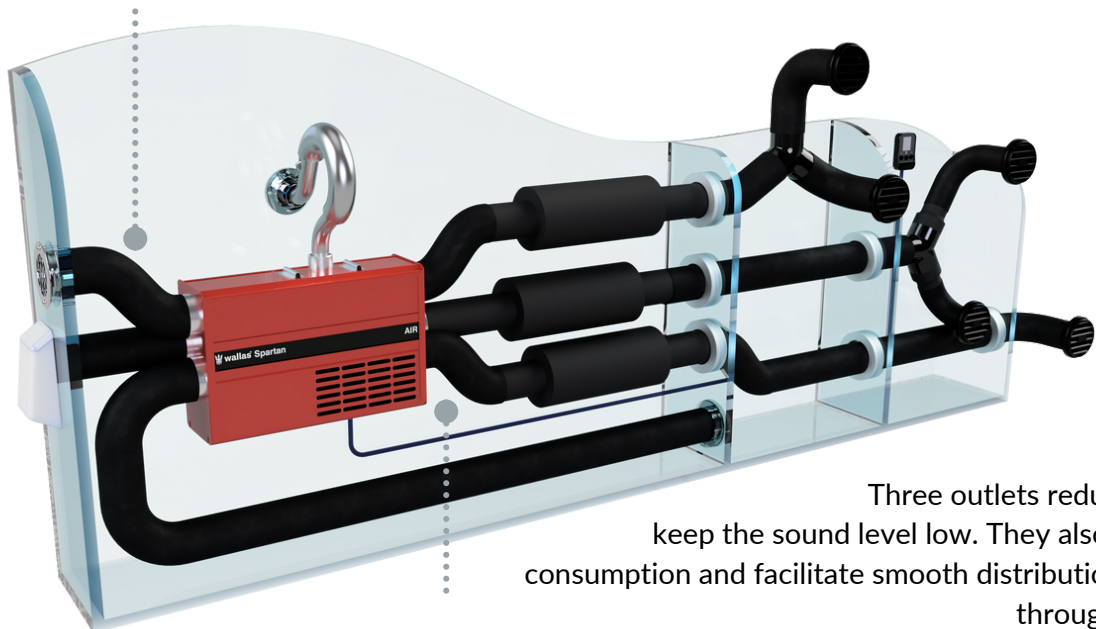


WALLAS REMOTE APP IS AN EASY TO USE ALTERNATIVE HEATER CONTROL

POWERFUL AIR BOOST DRIES AND DEFROSTS THE BOAT QUICKLY

FULLY ENCLOSED LAMINAR BURNING PROCESS DOES NOT LEAK ODORS INTO THE CABIN AND KEEPS THE INDOOR AIR FRESH

Three inlets take fresh air from outside and heated return air from the cabin. This improves efficiency and ensures oxygen rich air in the cabin.



Three outlets reduce air drag and keep the sound level low. They also reduce power consumption and facilitate smooth distribution of heated air throughout the cabin.

FEATURES

- Multipoint remote temperature sensing for improved accuracy.
- Three inlets and outlets allow greater installation flexibility and drying performance.
- Fully enclosed laminar burning process ensures a quiet sound level and wind resistant burn.
- Low temperature on unit and exhaust pipe increases safety.
- E mark approved for vehicles.
- Superior ventilation volume in Air Boost mode.
- Variable output eliminates system cycling and reduces noise, keeping you comfortable.
- Brushless blower motors have a very long life-cycle, supporting reliably long service intervals.
- Made of stainless steel, high-grade aluminum, and other corrosion-resistant materials.



Spartan Air with three inlets and outlets



CONTROL YOUR HEATER REMOTELY WITH A MOBILE APP

The Advanced Control Panel can be accessed remotely with the free Wallas mobile app, which allows you to save time by turning the heater on while you are still at home.

SHORT RANGE WIRELESS CONNECTION

Wallas Remote Mobile App connects to the heater's control panel through a short-range wireless connection.

No additional equipment is needed to use the app locally on boat within 15-20 m / 50-65 ft.

Wallas Remote App operates with units that come with the Advanced Control Panel.

LONG DISTANCE WIRELESS CONNECTION

Remote accessibility is also possible from any location through a WiFi connection. This type of connectivity requires a boat or marina WiFi modem.

*Keep your heater
always updated with
the latest features*

USE THE APP OR CONTROL PANEL

Turn your heater on remotely and enjoy a warm boat upon arrival.

Monitor cabin temperature and battery voltage remotely from home to be better prepared for the day.

Adjust temperature locally on boat with your phone without having to reach to the control panel.

**INTERESTED?
IT IS ABSOLUTELY FREE**



Download at www.wallas.fi



SPARTAN WATER

5.0 kW | Water Heater

Power:	1500-5000 W / 5,100-17,000 BTU
Operating Voltage:	12 V DC
Fuel Consumption:	0,16-0,5 l/h / 5.4-16.9 oz/hr
Electricity Consumption:	0,5-1,2 A
Dimensions:	L 424 mm / 16 11/16" W 165 mm / 6 1/2" H 309 mm / 12 3/16"
Weight:	10,6 kg / 23 lbs.
Recommended Boat Size:	9-12 m / 29-40 ft



New Wallas Spartan Water is a water heating system, which can be used solely for heating domestic fresh water or it can also be used to power up floor and radiator heating. Underfloor heating provides a consistent temperature profile around the cabin and the warm feeling when your bare feet are in direct contact with the floor. High levels of moisture and humidity at floor level can often be a breeding ground for dust mites and mold, but switching to an underfloor heating system allows you to drastically improve the hygiene all around. Additionally, Spartan Water can be turned on remotely with the Wallas App even from the comfort of your home, which saves a tremendous amount of time. Spartan Water is an excellent option for other off-grid applications as well, for instance, camper vans, cottages, office/break room containers, or construction trailers.

3008 ADVANCED

THERMO | Control Panel

- If Spartan Water is used solely as a fresh water tank heater, the only function needed is ON/OFF.
- If a second water pump is installed for floor heating, the control panel allows you to set a target room temperature and the thermostat maintains a smooth ambient temperature in the space.
- The simple display shows all the pertinent information at one glance.





ENERGY EFFICIENT

LOW RUNNING COSTS

ULTRA-LOW EMISSIONS

BETTER INDOOR AIR QUALITY

SPARTAN WATER

Small solar panel charges the 12 V battery.

Spartan Water heats up the fresh water tank providing hot water even in distant off-grid locations.

Boat WiFi modem is needed for long distance remote access with the Wallas App.

12 V battery as a power source.

Coolant expansion tank for safety.

With a second water pump installed, Spartan Water can also be used for underfloor and radiator heating.

Fuel for the heater can be drawn from the main fuel tank.

Coolant circulation hoses heat water in the hot water tank.

FEATURES

- Advanced Control Panel enables intelligent temperature control.
- Wireless temperature sensing for improved accuracy.
- Fully enclosed laminar combustion is a safe burning process with no exposed flame.
- Brushless motors have a very long life-cycle, supporting reliably long service intervals.
- E mark approved for vehicles.
- Delivers heat to a hot water tank and/or for floor and radiator heating.
- Floor heating dispenses even heat to the indoor space and provides the added comfort of warm floors under your feet.
- No burning hot heater grilles for everyone's safety.
- Made of stainless steel, high-grade aluminum, and other corrosion-resistant materials.



Wireless temperature sensor monitors cabin temperature with improved accuracy and flexibility.

COMPARE

Standard and Advanced Models



30 GB

1500-3000 W

5,100-10,200 BTU

Forced air heater with a basic thermo control panel for convenient, flexible comfort control.

Heating power can be controlled in Thermo Control Mode by setting a target temperature or with knob with simple rheostat in Manual Mode.

Air Boost Mode increases the ventilation capacity for quick defrosting, and drying.

Wallas 4430 Remote Control accessory enables online based remote accessibility.

Temperature sensor in the control panel provides stable indoor temperatures.



VIKING AIR

950-3000 W

3,200-10,200 BTU

Forced air heater with a thermostatic control panel and multipoint remote temperature sensing for improved accuracy.

Heating power can be controlled in Thermo Control Mode or using six power levels (1-6) in Manual Mode.

Superior ventilation volume in Air Boost Mode provides extremely fast defrosting and drying.

Wallas Remote App enables remote control, feature updates, and diagnostics.

Wired and wireless sensors send more accurate temperature data to the control panel to provide stable room temperature.



GREENBOOST

CLEANER BURNING

Updated software optimizes fuel and electricity consumption

Calibrated to burn renewable fossil free diesel (e.g. HVO)

Larger burner burns fuel slower resulting in ultra low NOX and CO2 emissions

Extensively tested with Neste

Improved burner efficiency for more power

*Wallas units are
ultra-low
emission
products*

GB SERIES

Diesel Heaters



22 GB

2.5 kW | Air Heater

Power:	1100-2500 W / 3,700-8,500 BTU
Operating Voltage:	12 V DC
Fuel Consumption:	0,10-0,25 l/h / 3.4-8.5 oz/hr
Electricity Consumption:	0,55-1,0 A
Air Volume at Min Heat:	51 m ³ /h / 30 cfm
Air Volume at Max Heat:	79 m ³ /h / 47 cfm
Dimensions:	L 424 mm / 16 11/16" W 140 mm / 5 1/2" H 277 mm / 10 7/8"
Weight:	10 kg / 22 lbs
Recommended Boat Size:	5-7 m / 16-22 ft



30 GB

3 kW | Air Heater

Power:	1500-3000 W / 5,100-10,200 BTU
Operating Voltage:	12 V DC
Fuel Consumption:	0,15-0,3 l/h / 5.2-10.5 oz/hr
Electricity Consumption:	0,8-1,75 A
Air Volume at Min Heat:	61 m ³ /h / 36 cfm
Air Volume at Max Heat:	103 m ³ /h / 61 cfm
Dimensions:	L 424 mm / 16 11/16" W 40 mm / 5 1/2" H 277 mm / 10 7/8"
Weight:	10 kg / 22 lbs
Recommended Boat Size:	7-9 m / 22-29 ft

PI THERMO

THERMO | Control Panel

- Use heater in **PI Thermo Mode** to hold a target room temperature.
- Switch to **Manual Mode** and control heating power with knob with simple rheostat.
- Blow fresh air without heating in **Ventilation Mode**.
- Increase the air volume quickly with **Air Boost** when defrosting or drying is needed.



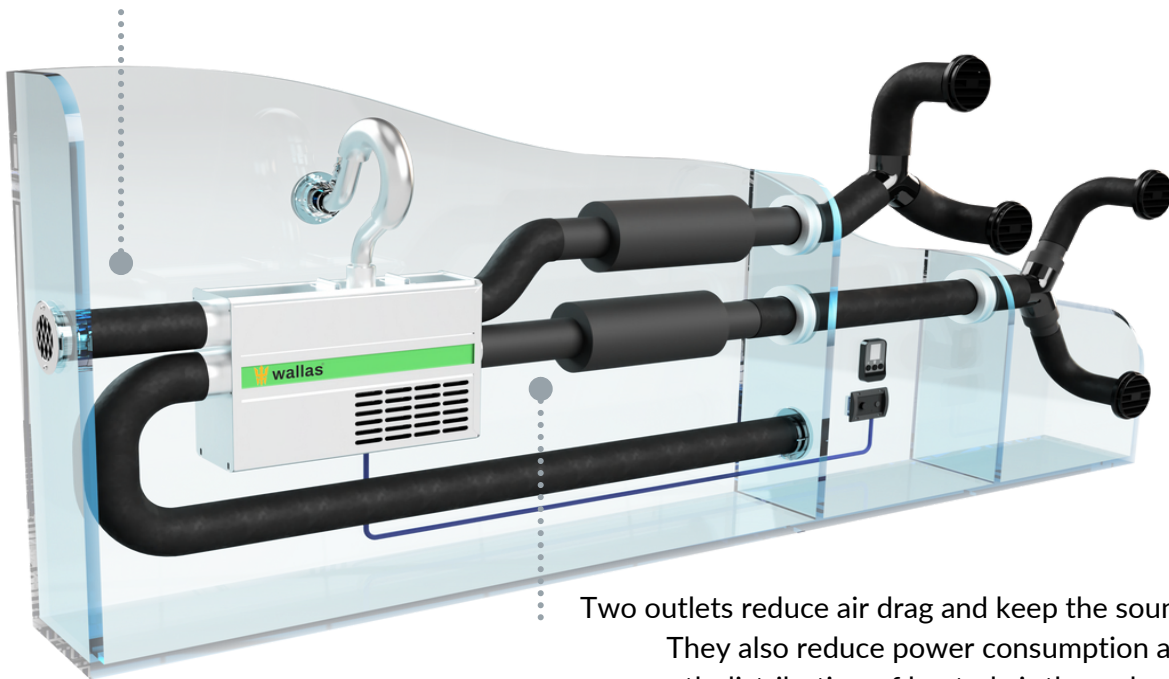


**ENJOY A SMOOTH
TEMPERATURE IN CABIN**

**HAVE BETTER COMFORT
CONTROL WITH AN EASY-TO-
USE THERMO CONTROL PANEL**

Two inlets take fresh air from outside and heated return air from the cabin. This improves efficiency and ensures oxygen rich air in the cabin.

22 GB / 30 GB



Two outlets reduce air drag and keep the sound level low. They also reduce power consumption and facilitate smooth distribution of heated air throughout the cabin.

FEATURES

- Two inlets and outlets allow greater installation flexibility and drying performance.
- Fully enclosed laminar burning process ensures a quiet sound level and wind resistant burn.
- Made of stainless steel, high-grade aluminum, and other corrosion-resistant materials.
- Variable output eliminates system cycling and reduces noise, keeping you comfortable.
- Brushless blower motors have a very long life-cycle, supporting reliably long service intervals.
- Low temperature on unit and exhaust pipe increases safety.

Turn your heater on remotely with Wallas 4430 remote control accessory and enjoy a warm boat upon arrival.

Read more at wallas.fi

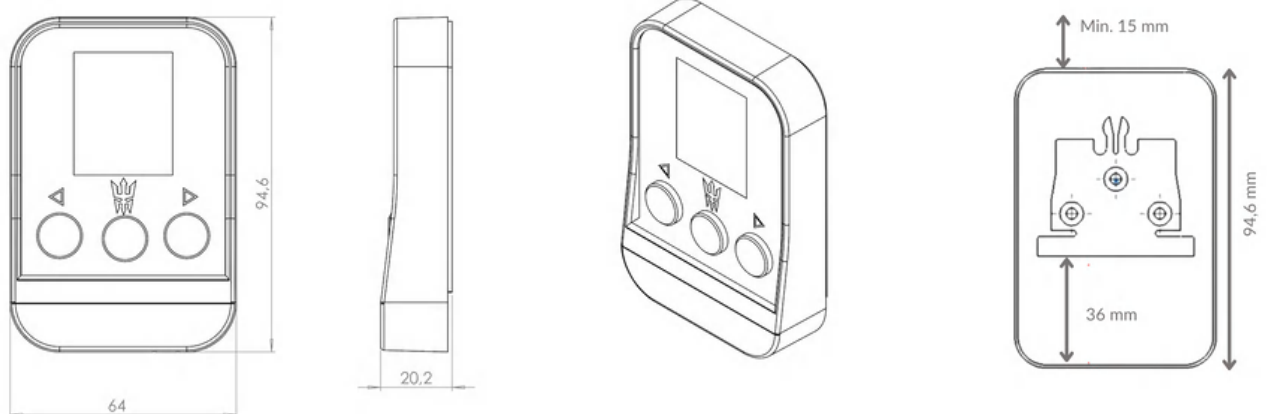
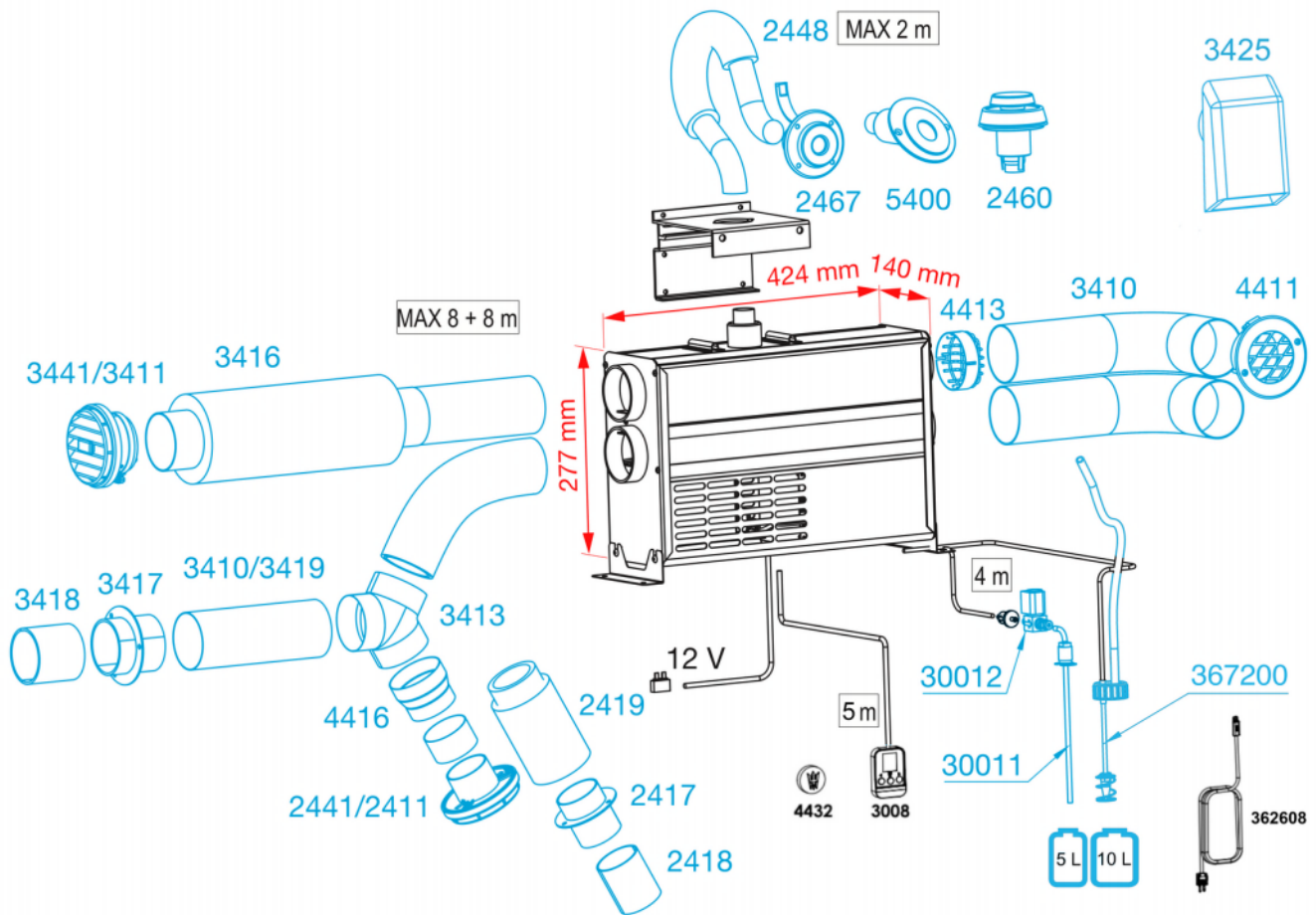


INSTALLATION

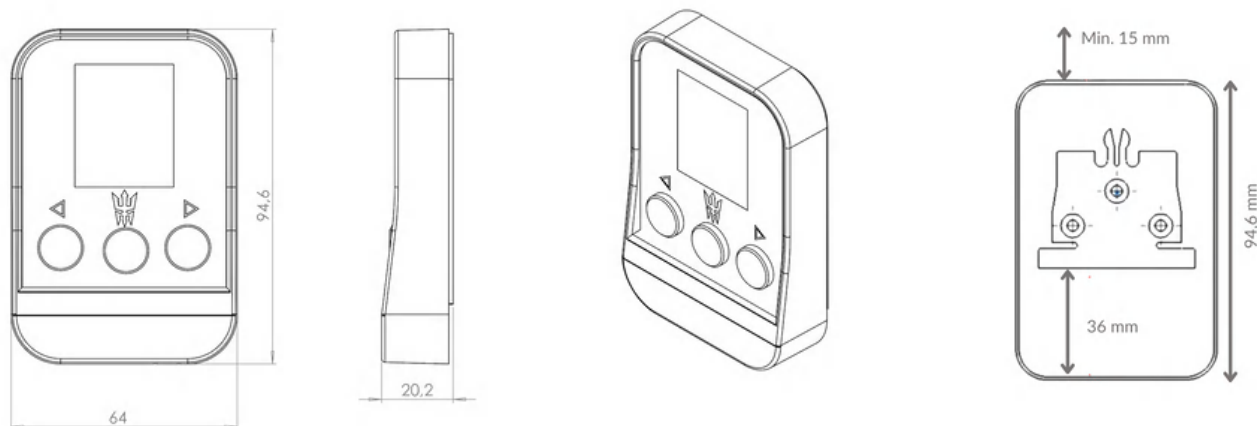
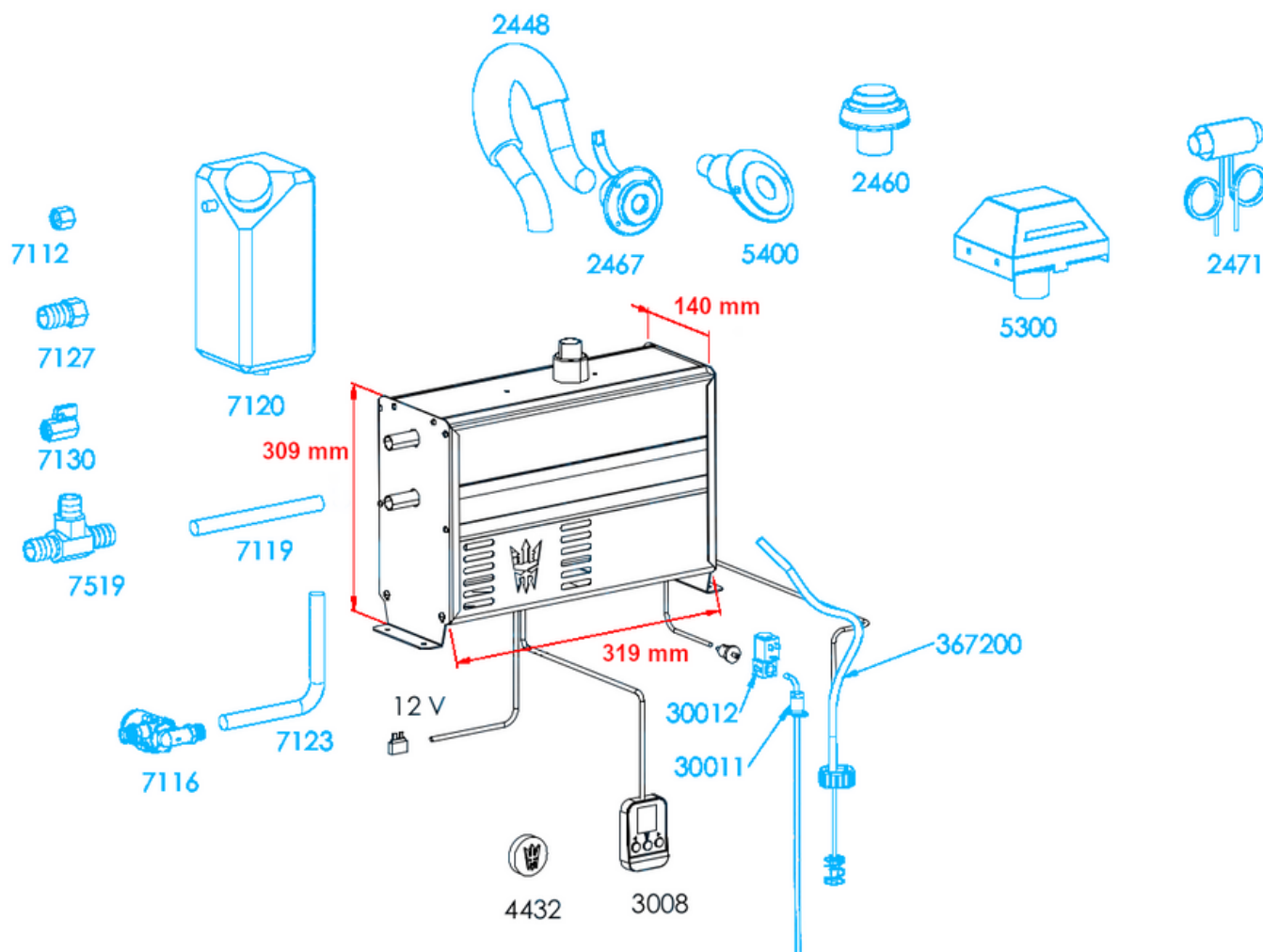
& Accessories

WARRANTY
2+1 YEARS





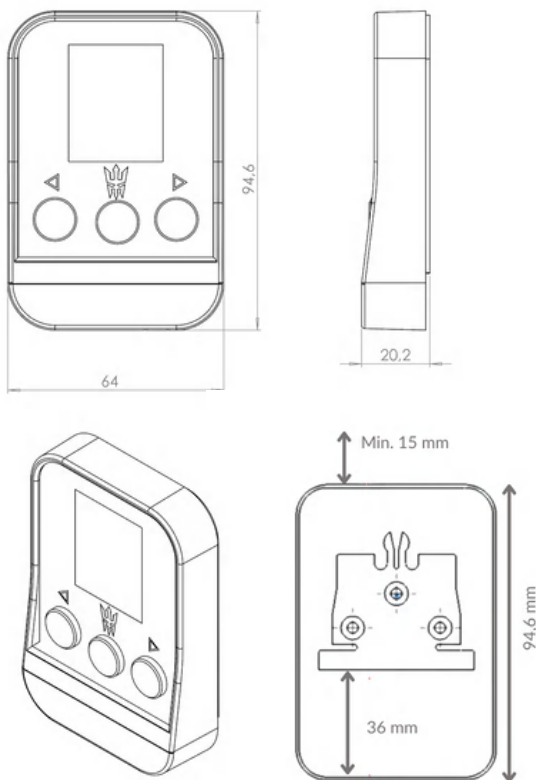
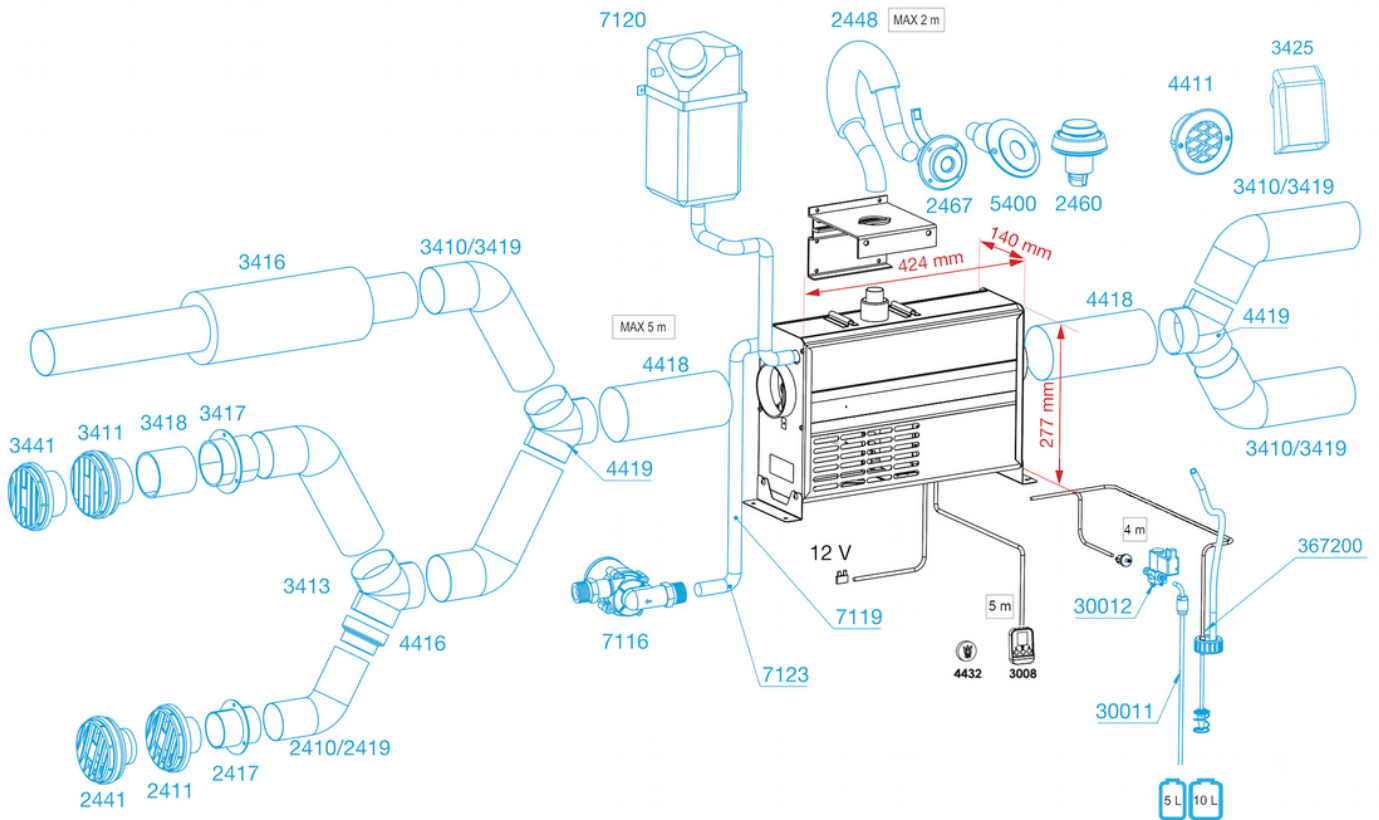
Accessories in black come with the standard package. Accessories in blue are additional/optional.
 The calculated values are measured in a reference measurement wall, which is constructed to represent a typical boat installation. The technical values have been measured with the maximum length of ducting, exhaust pipe, fuel line, and power cord.
 The figures allow for 10 % reserve - yours may vary.



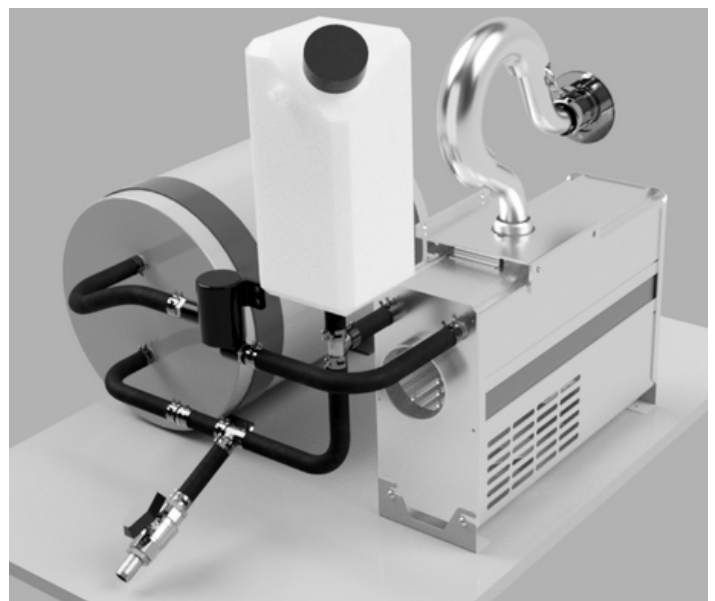
Accessories in black come with the standard package. Accessories in blue are additional/optional.
 The calculated values are measured in a reference measurement wall, which is constructed to represent a typical boat installation. The technical values have been measured with the maximum length of ducting, exhaust pipe, fuel line, and power cord.
 The figures allow for 10 % reserve - yours may vary.

VIKING COMBI

2.5 kW | Air and Water Heater



Viking Combi forms pressure, which circulates heat transfer fluid in hoses inside the heater and the hot water tank. An expansion tank must be used to not let the unit reach excessive pressure.



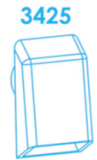
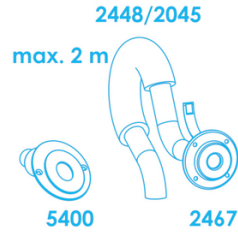
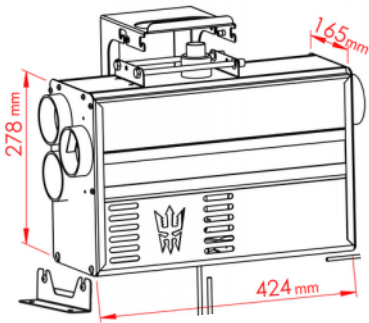
Accessories in black come with the standard package. Accessories in blue are additional/optional. The calculated values are measured in a reference measurement wall, which is constructed to represent a typical boat installation. The technical values have been measured with the maximum length of ducting, exhaust pipe, fuel line, and power cord. The figures allow for 10 % reserve - yours may vary.

SPARTAN TWIN / AIR

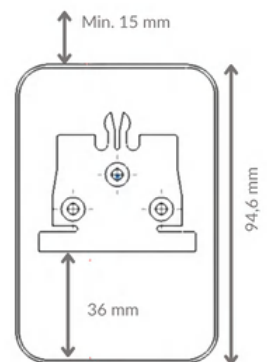
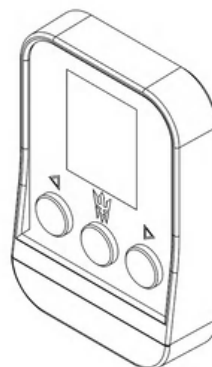
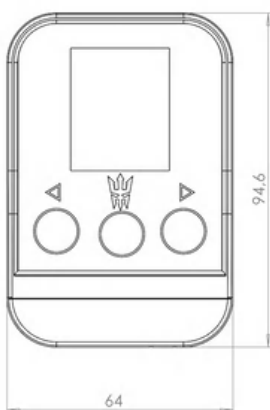
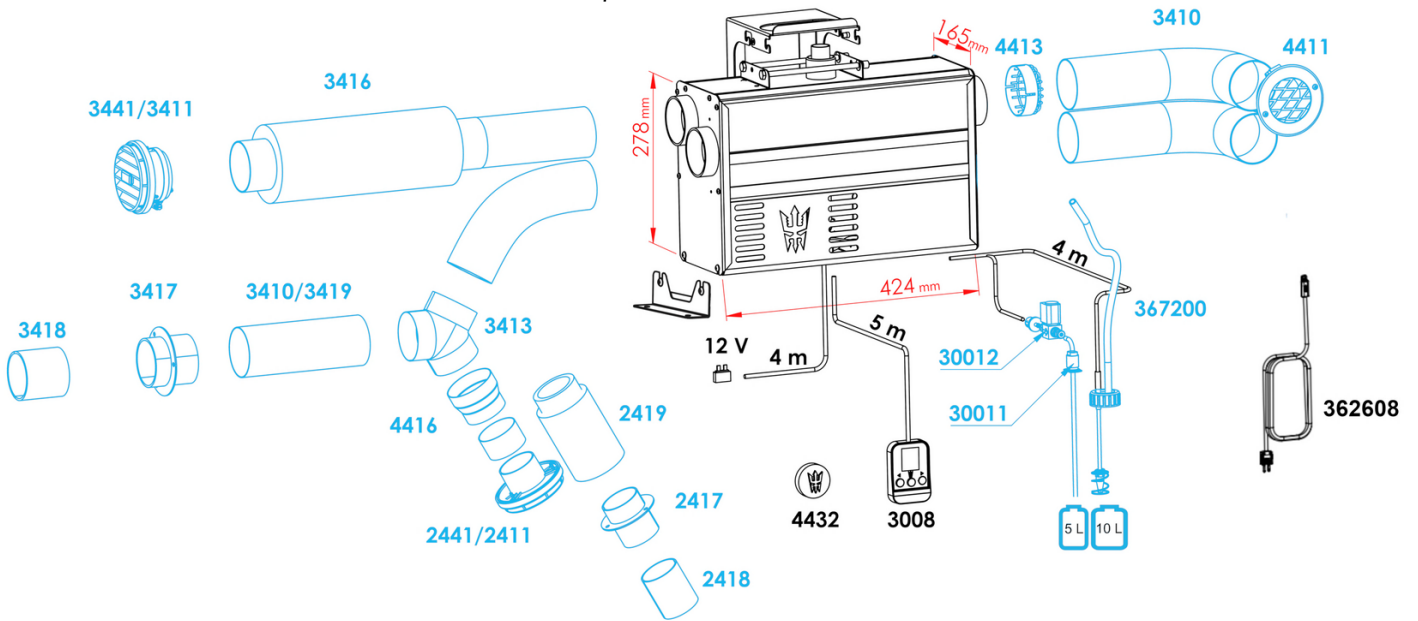
4.5 kW | Air Heater



Spartan Air



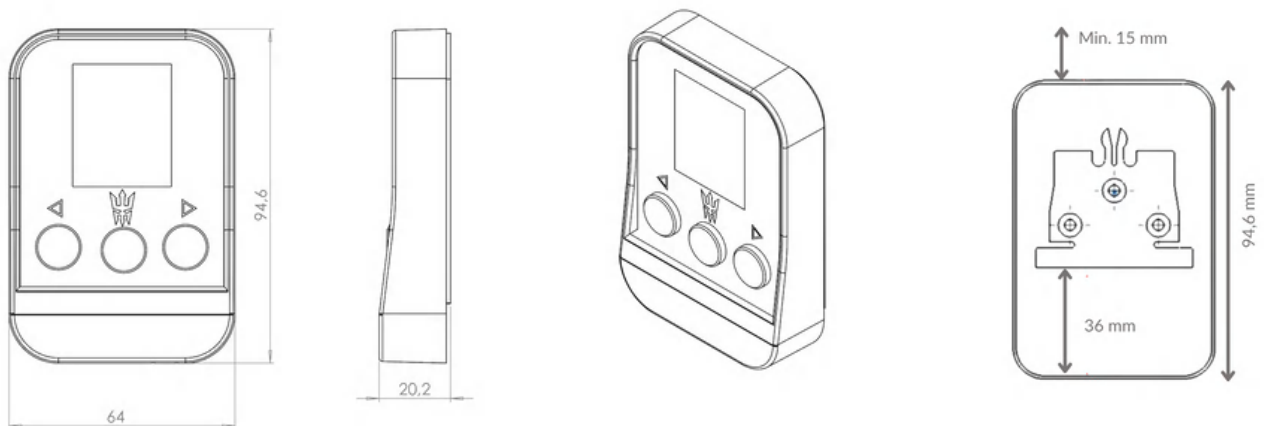
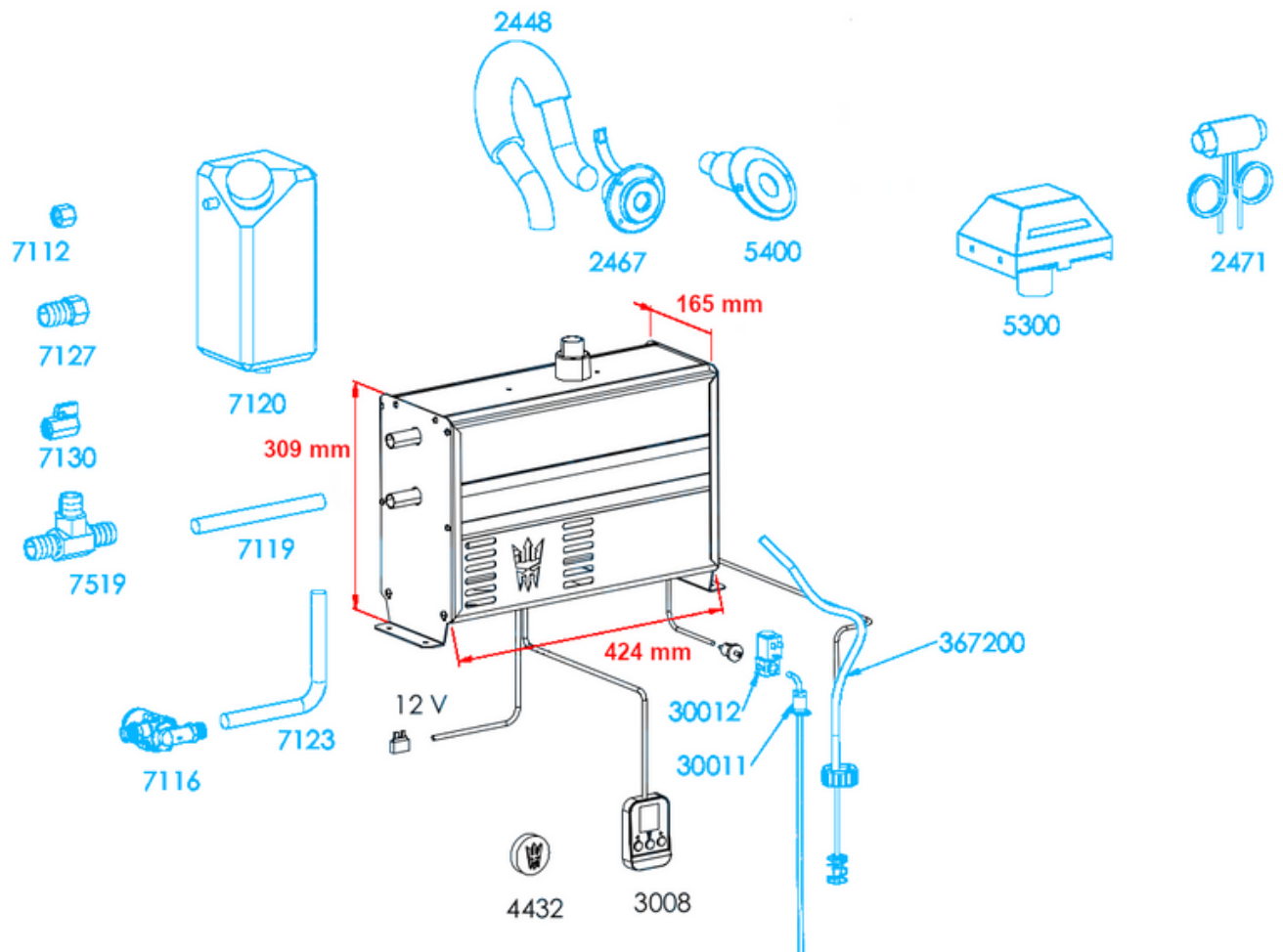
Spartan Twin



Accessories in black come with the standard package. Accessories in blue are additional/optional. The calculated values are measured in a reference measurement wall, which is constructed to represent a typical boat installation. The technical values have been measured with the maximum length of ducting, exhaust pipe, fuel line, and power cord. The figures allow for 10 % reserve - yours may vary.

SPARTAN WATER

5.0 kW | Water Heater



Accessories in black come with the standard package. Accessories in blue are additional/optional.
 The calculated values are measured in a reference measurement wall, which is constructed to represent a typical boat installation. The technical values have been measured with the maximum length of ducting, exhaust pipe, fuel line, and power cord.
 The figures allow for 10 % reserve - yours may vary.

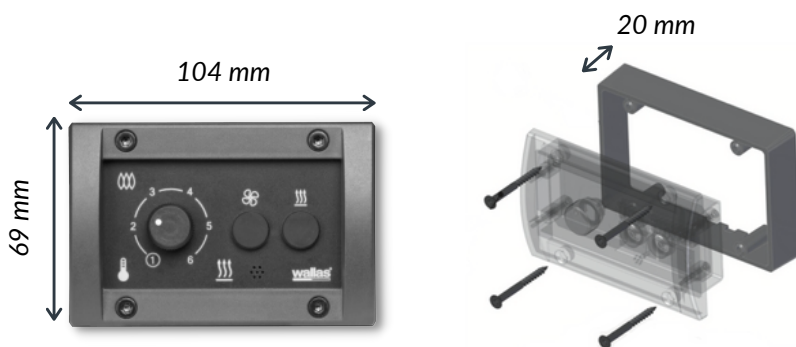
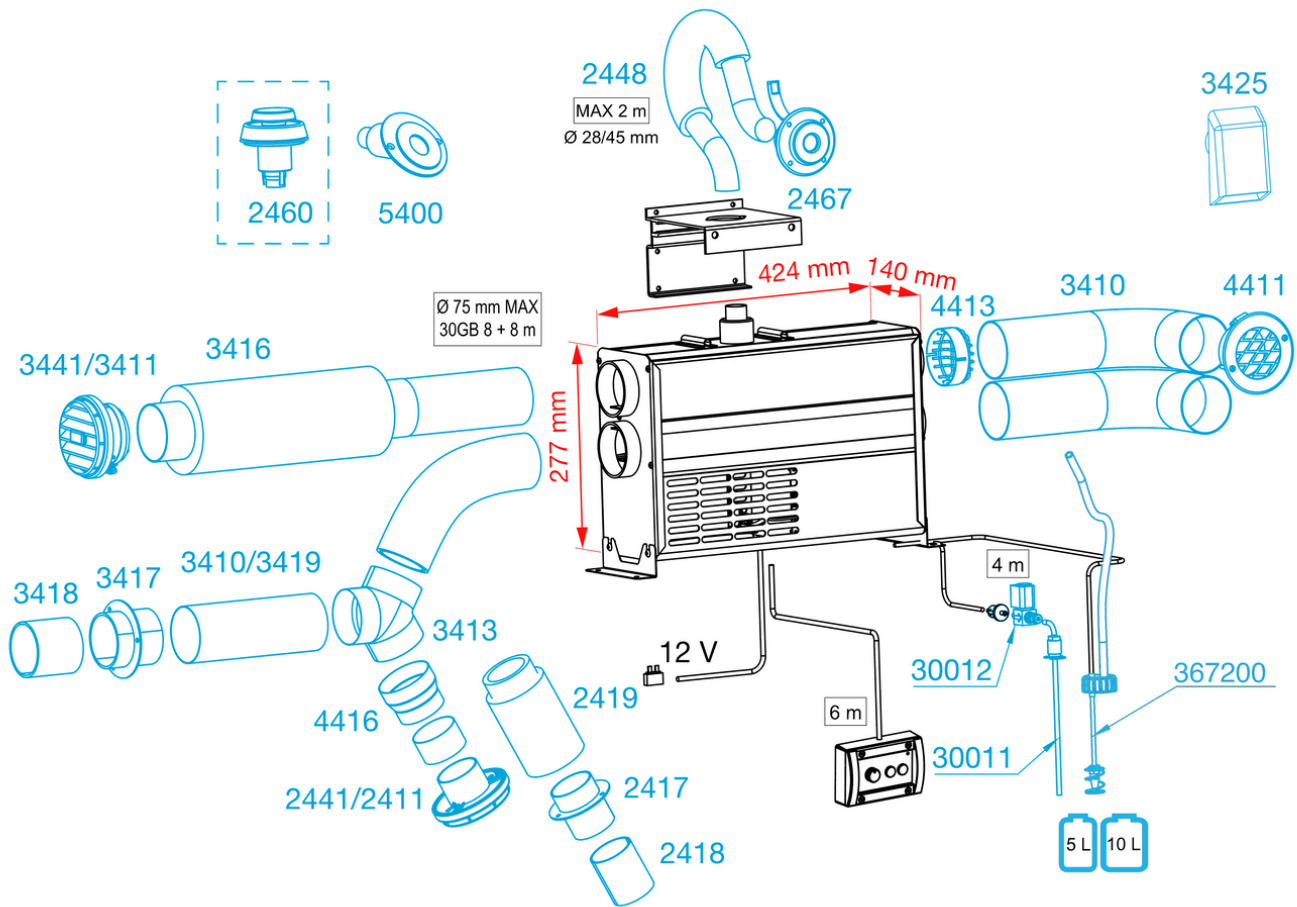
22 GB

2.5 kW | Air Heater



30 GB

3 kW | Air Heater



Total Width: Flush mounted 12 mm
Surface mounted 32 mm

Accessories in black come with the standard package. Accessories in blue are additional/optional. The calculated values are measured in a reference measurement wall, which is constructed to represent a typical boat installation. The technical values have been measured with the maximum length of ducting, exhaust pipe, fuel line, and power cord. The figures allow for 10 % reserve - yours may vary.

All rights reserved. Wallas-Marin reserves the right to change or improve its products and to make changes in the content of this catalogue without obligation to notify any person or organization of such changes or improvements. Go to www.wallas.fi for current updates and supplemental information concerning these products.



ADDRESS

Wallas-Marin Oy
Kärriykatu 4
20780 Kaarina
FINLAND

EMAIL

sales@wallas.fi

DISTRIBUTORS AT
WALLAS.FI